

MED-SOFT

Disposable soft liners and reusable canisters



**Closed
suction
system for
your safety**

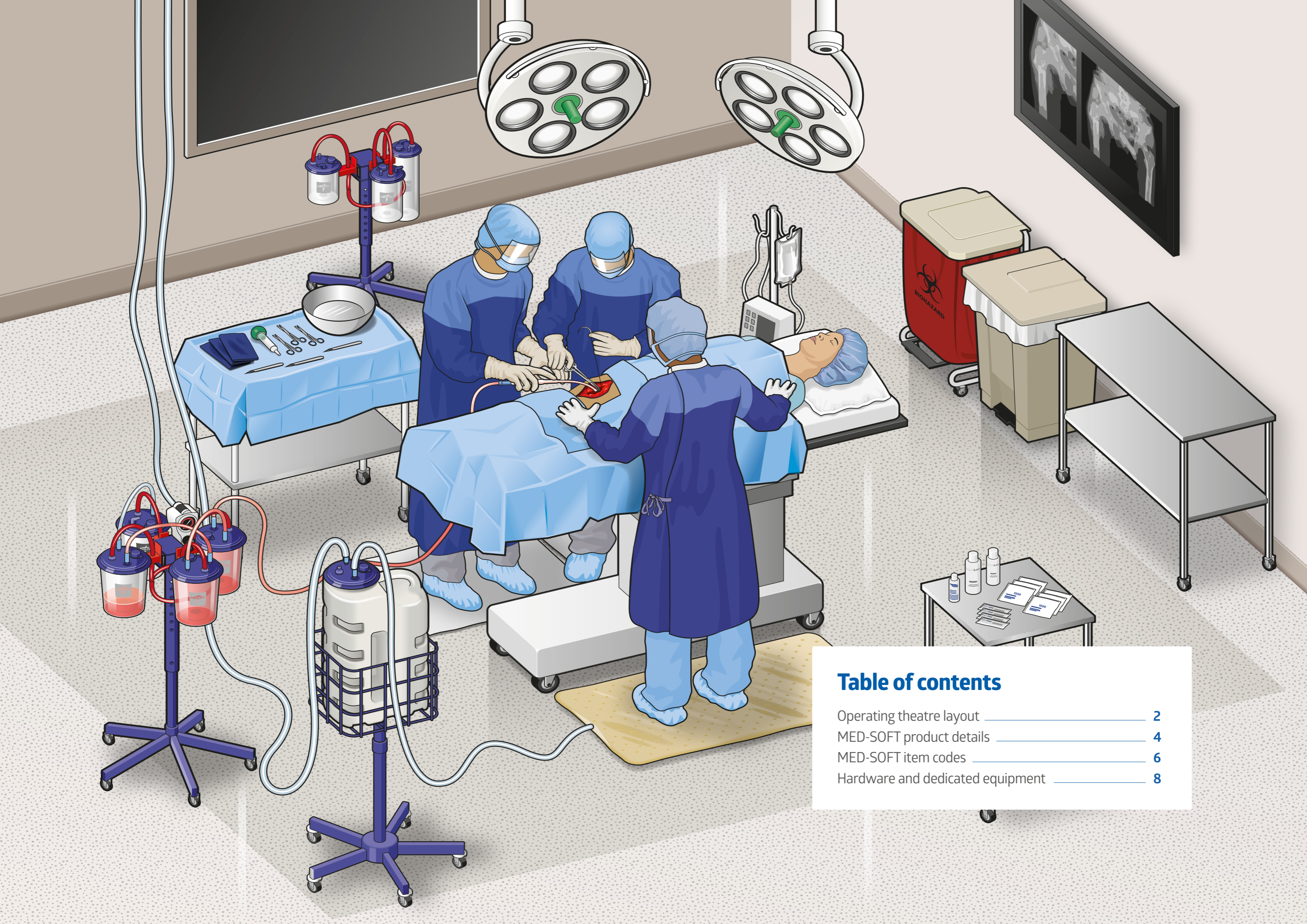


Table of contents

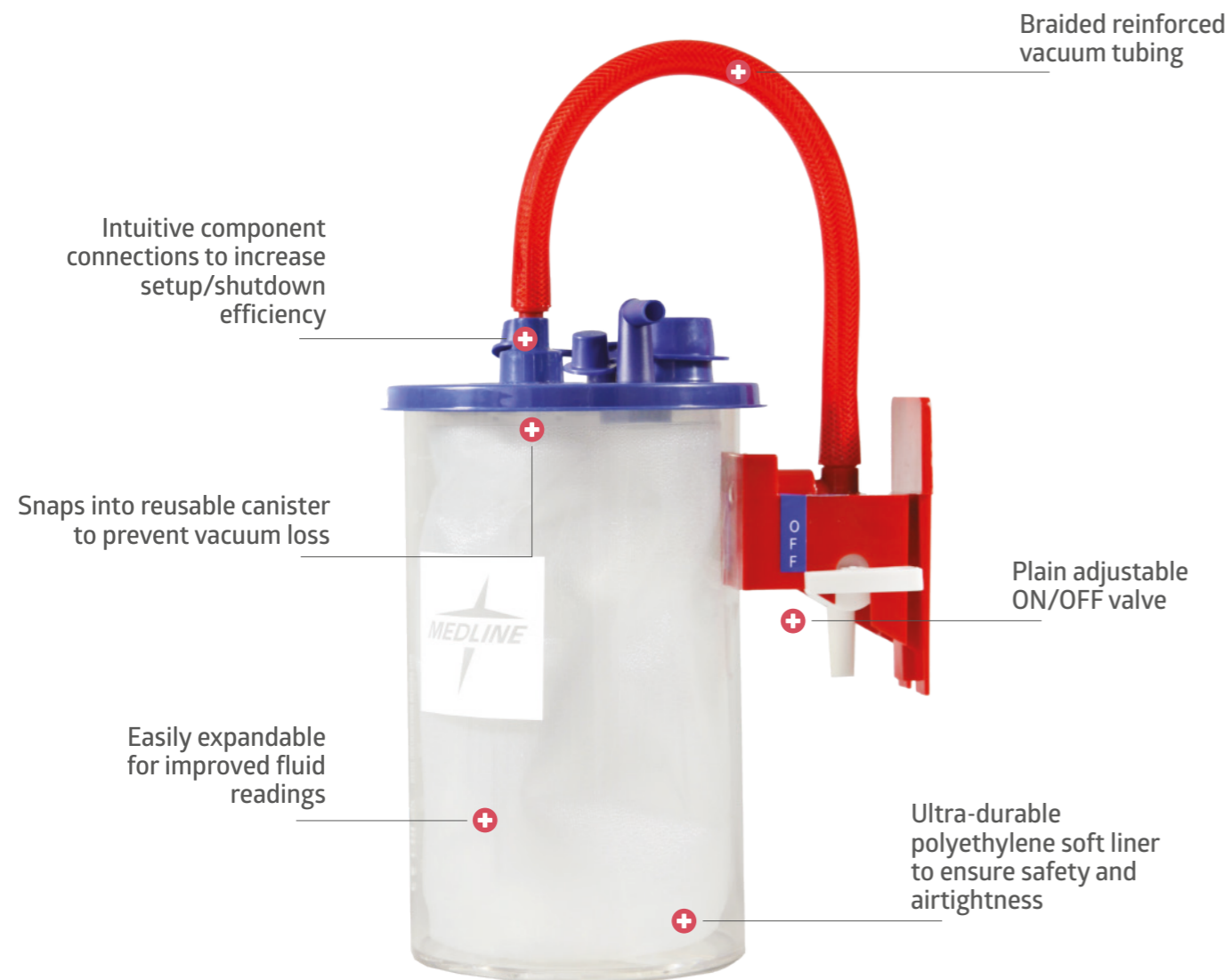
Operating theatre layout	2
MED-SOFT product details	4
MED-SOFT item codes	6
Hardware and dedicated equipment	8

MED-SOFT Canisters and Liners

MED-SOFT Suction Liners and Canisters are closed suction systems for the collection of bodily fluids, liquids and aspiration waste. The graduation markings on the reusable suction canisters make it easy to note the volume of liquid collected, and the attached short backing helps affix the suction system to a wall or mobile trolley.

The attached liner lids have ports with four different diameters for mistake-proof connections.

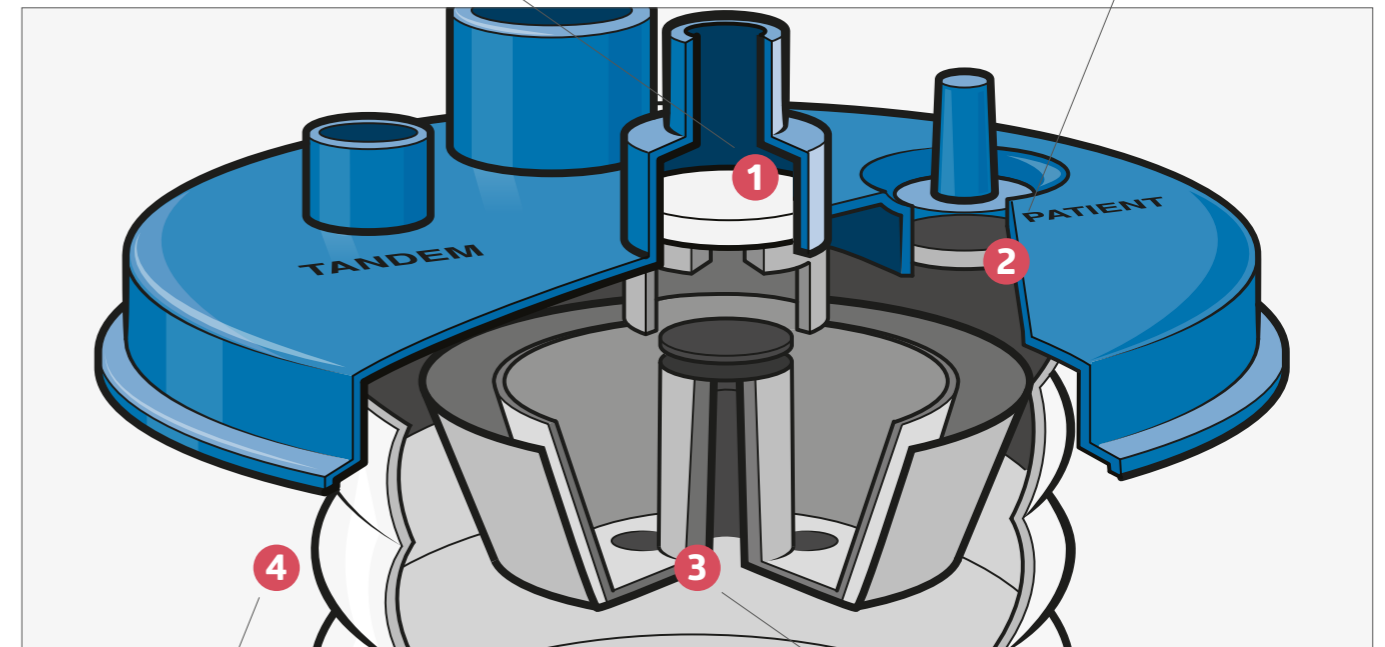
The MED-SOFT solution is also available in kits, including suction tubing and a fingertip control vacuum valve. Additionally, it can contain a MED-GEL solidifying agent.



MED-SOFT Suction Liners and Canisters are designed to be both safe and easy to use during the process of fluid collection, storage and disposal.

1 Antimicrobial filter
Filters > 99.9% of aerosolised microorganisms and particulates.

2 Anti-reflux valve
Inhibits contamination by preventing backflow when disconnecting patient tubing and by hindering contaminated aerosols from migrating back into the patient tubing.



4 Expandable accordion (built into 3L liners)
Protects users from coming into contact with collected fluids and reduces possible contamination from leaks and spills.

3 Mechanical shut-off valve
Prevents overflow and vacuum suction line contamination.

The stretch accordion action relieves internal pressure; it can expand to create extra space, which keeps fluid below the ports and improves safety and handling.

Safe, reliable suction from a 'closed' suction system

- Liners are pre-assembled and simply click into the outer canister.
- Liners are ultrasonically sealed shut.
- The system is tested to be 100% airtight and leak-proof.



MED-SOFT Canisters and Liners

MED-SOFT Outer Canisters

Reusable canisters are available in various capacities to meet different clinical needs. They include a resistant polycarbonate recipient with graduations and a short reinforced backing as well as an ON/OFF valve.

Item No.	Description	Packaging
DYNDCL01000	Outer canister for 1L MED-SOFT Liner	8/cs
DYNDCL01500	Outer canister for 1.5L MED-SOFT Liner	8/cs
DYNDCL03000	Outer canister for 3L MED-SOFT Liner	8/cs
DYNDCL010T	Outer T-canister for 1L MED-SOFT Liner	8/cs
DYNDCL015T	Outer T-canister for 1.5L MED-SOFT Liner	8/cs
DYNDCL030T	Outer T-canister for 3L MED-SOFT Liner	8/cs



MED-SOFT Liners

Disposable, single-patient-use liners can be inserted into canisters with the same capacity.

Item No.	Description	Packaging
DYNDSC1000	1L MED-SOFT Liner	50/cs
DYNDSC1500	1.5L MED-SOFT Liner	50/cs
DYNDSC3000	3L MED-SOFT Liner	50/cs

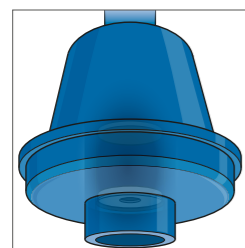


MED-SOFT Tandem Tubing

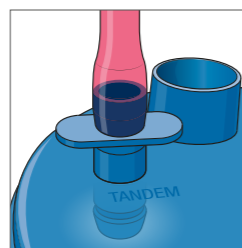
Tubing can be used for the connection of several liners and the automatic transfer of fluids from one liner to the next.

- Offers intuitive, mistake-proof installation
- Maintains a safe, closed suction system during use and disposal
- Maintains reliable suction force in a tandem network
- Internal one-way valve for the prevention of accidental leaks and contact with infectious waste

Item No.	Description	Packaging
DYNDTND	Tandem tubing for MED-SOFT Liner	20/cs



Internal one-way valve prevents leaks when disconnected and capped.



Once in place, it cannot be intentionally removed from the tandem port.



MED-SOFT Liners with Suction Tubing

MED-SOFT Liners are packaged with pre-connected, non-sterile ORNEX tubing for operational efficiency. ORNEX is a low-memory flexible tubing with a ribbed external surface to increase its resistance to kinking.

Item No.	Description	Packaging
OR916K	1L MED-SOFT Liner + 6 mm x 1.8 m tubing	50/cs
OR926K	1.5L MED-SOFT Liner + 6 mm x 1.8 m tubing	50/cs
OR936K	3L MED-SOFT Liner + 6 mm x 1.8 m tubing	50/cs
OR929K	1.5L MED-SOFT Liner + 6 mm x 3 m tubing	50/cs
OR939K	3L MED-SOFT Liner + 6 mm x 3 m tubing	50/cs



MED-SOFT Liners with Suction Tubing and MED-STOP

These kits contain a MED-SOFT Liner combined with pre-connected, non-sterile ORNEX tubing (described above) and adult or paediatric MED-STOP. The fingertip control vacuum valve enables better control of the suction by the user during tracheal suction.

MED-STOP is also available as a non-sterile single version or in kits with pre-connected tubing.

Item No.	Description	Packaging
OR53916	1L MED-SOFT Liner + 6 mm x 1.8 m tubing and adult MED-STOP	50/cs
OR53926	1.5L MED-SOFT Liner + 6 mm x 1.8 m tubing and adult MED-STOP	50/cs
OR53929	1.5L MED-SOFT Liner + 6 mm x 3 m tubing and adult MED-STOP	50/cs
OR54916	1L MED-SOFT Liner + 6 mm x 1.8 m tubing and paediatric MED-STOP	50/cs
OR54926	1.5L MED-SOFT Liner + 6 mm x 1.8 m tubing and paediatric MED-STOP	50/cs



Adult MED-STOP



Paediatric MED-STOP

MED-SOFT Liners with MED-GEL Solidifying Agent

MED-SOFT pre-gelled liners contain a dose of MED-GEL, which solidifies the suctioned fluids for safer disposal.

MED-GEL is also available separately, packaged in doses or in buckets.

Item No.	Description	Packaging
OR1910PG	1L MED-SOFT Liner + MED-GEL	45/cs
OR1920PG	1.5L MED-SOFT Liner + MED-GEL	45/cs
OR1930PG	3L MED-SOFT Liner + MED-GEL	45/cs



Item No.	Description	Packaging
RE2015	MED-GEL dispenser box, 100 ea/box, 2 boxes/cs	200/cs
RE2050	MED-GEL bucket, 2 kg/bucket, 2 buckets/cs	2/cs



Hardware and dedicated equipment

Disposable specimen traps

The disposable specimen traps are used to collect and retain samples for analysis. They can be affixed to the accessory port of the MED-SOFT Canisters and connected 7 mm or 10 mm suction tubing.

Item No.	Description	Packaging
OR123	Short specimen sock (9 cm), with male connector (diameter 7 mm)	100/cs
OR125	Standard specimen sock (23 cm), with male connector (diameter 7 mm)	100/cs
OR124	Large specimen sock (23 cm), with male connector (diameter 10 mm)	100/cs
OR84	Specimen cup (diameter 10 cm)	20/cs



Mounting brackets

Item No.	Description	Packaging
DYNDSCW	Plastic wall mount	20/cs
ORCLAMP	Plastic rail clamp	20/cs
FKD0036	Convertor for Medline suction canister compatible with VacSax holder	10/cs
ORCONVS	Convertor for Medline suction canister compatible with Serres rail clamp	20/cs
906023E	Stainless steel support	10/cs



Trolleys

These products enable advanced and customised configurations.

Item No.	Description	Packaging
DYNDSCC	Metallic canister trolley (adjustable height between 61 and 106 cm, can hold 4 canisters)	1/cs
ORBASE	Canister trolley (fixed height 50 cm, can hold 2 canisters)	1/cs
ORSTAND	Canister holder with adhesive base	10/cs
ORSTANDR	Canister holder with roll stand	2/cs



Reusable tubing

Our reusable manifold tubing enables customised setup by connecting a multiple-canister network to the vacuum source.

Item No.	Description	Packaging
DYND2MNF	Manifold tubing for 2 canisters	10/cs
DYND3MNF	Manifold tubing for 3 canisters	10/cs
DYND4MNF	Manifold tubing for 4 canisters	10/cs
TUBVAC ¹	Reinforced vacuum tubing (roll 30 m)	1/cs



Medline Industries Ltd
 3rd Floor
 Quayside Wilderspool Business Park
 Greenalls Avenue
 Warrington WA4 6HL
 United Kingdom
 Tel.: +44 844 334 5237
 Fax: +44 844 334 5238
www.medline.eu/uk | uk-customerservice@medline.com

FOLLOW US 

Canisters, liners, tubing, specimen socks, specimen cups and manifold tubing are class I non-sterile medical devices intended to be used by healthcare professionals. Before use, consult instructions and precautions on the corresponding labelling.

¹TUBVAC is a class I non-sterile medical device intended to be used by healthcare professionals. Before use, consult instructions and precautions on the corresponding labelling.

We reserve the right to correct any errors that may occur in this brochure.

© 2020 Medline is a registered trademark of Medline Industries, Inc. Three Lakes Drive, Northfield, IL 60093, USA. ML548-EN03/EP/CM 01/2020.

EC REP Medline International France SAS
 5, rue Charles Lindbergh
 44110 Châteaubriant, France

 Medline International France SAS
 5, rue Charles Lindbergh
 44110 Châteaubriant, France