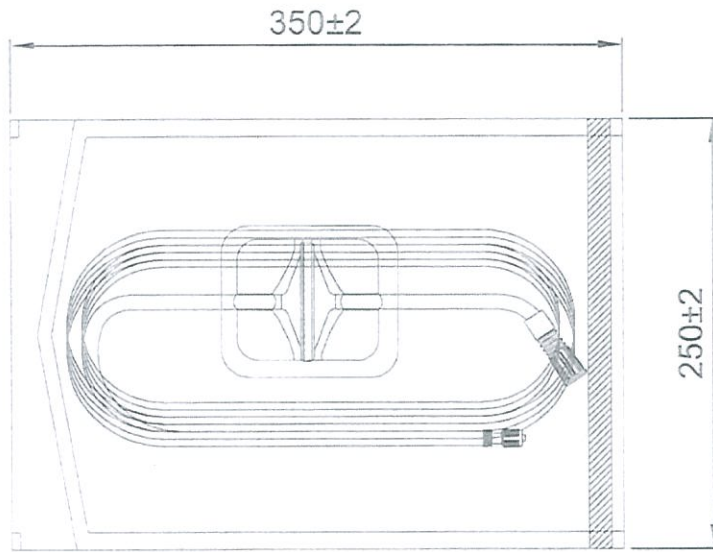
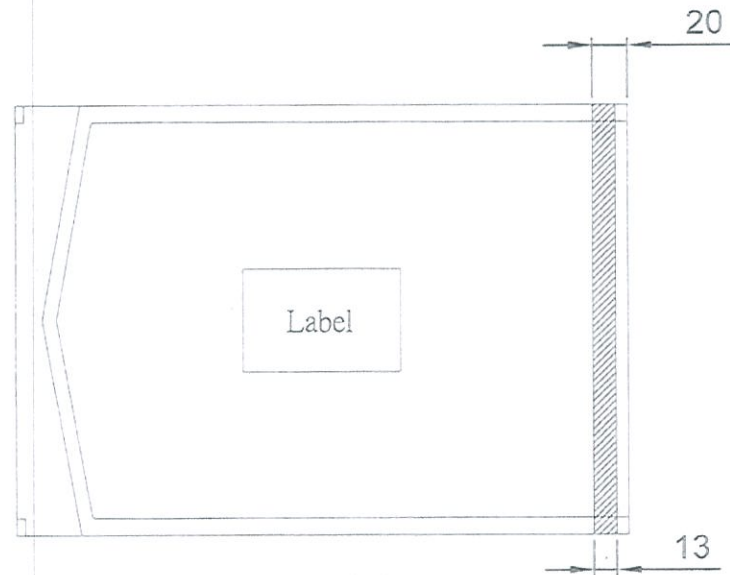


REV LTR	DATE	MODIFY DESCRIPTION	REVISER



正面



反面

1. 包裝方式為雙層滅菌袋包裝
2. 標籤依客戶簽回內容印製
3. 滅菌袋封口拉力為 $1.5\text{ N} \geq 6\text{ mm}$ (有效封邊)
4. 繞圈須繞5圈

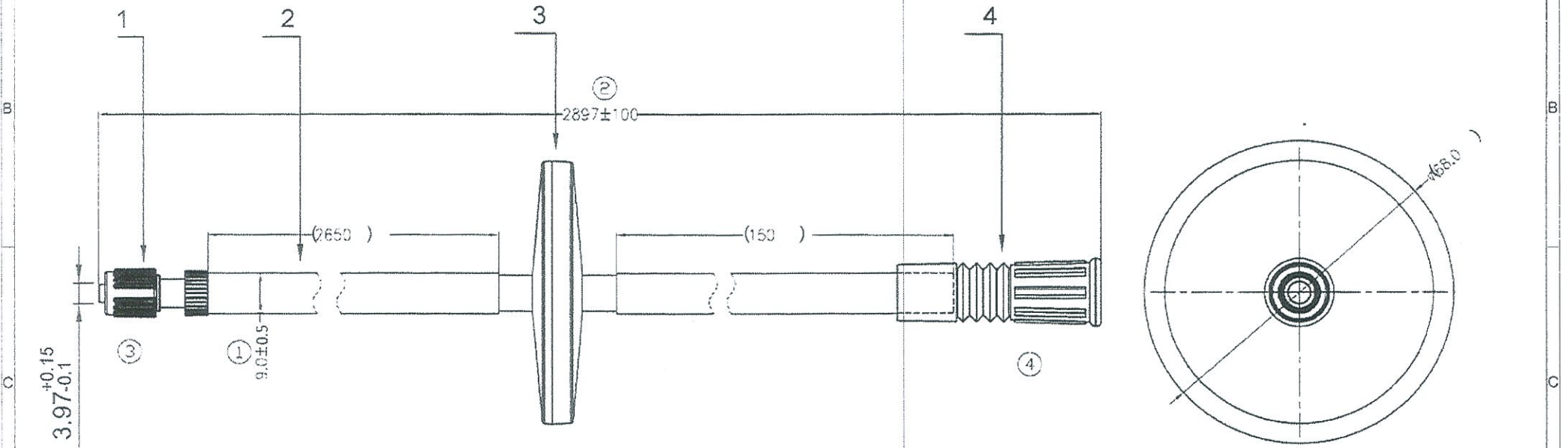


Handwritten signature and date: 17.12.17

康健生醫科技股份有限公司 ADVANCED MEDICAL DESIGN Co., LTD.	Unit : mm	Reference Tolerance	Design	Mittan 2018.1.3	Material :	Name: 過濾器	Page
	Perspective	.XXX ±0.025 .XX ±0.050 .X ±0.100	QC review	David 2018 2018	Remark: 4001-GLQ6801	Drawing No. AIF-630Z-XXXXX	1/4
			Approved	<i>Handwritten signature and date: 2018</i>		Drawing Version 01	Frame info: RD-F009 Version 2.0

品名	材質
1 螺紋組接頭	PC
2 PVC管	PVC
3 過濾器本體	PC
4 軟接頭	PVC

REV LTR	DATE	MODIFY DESCRIPTION	REVISER

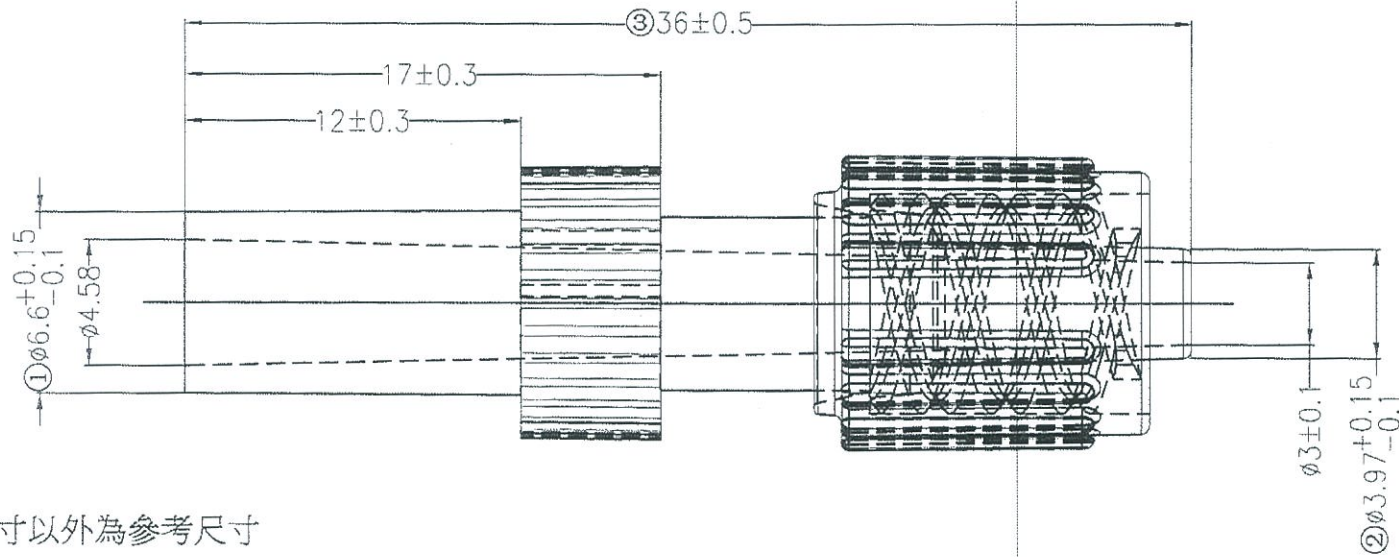
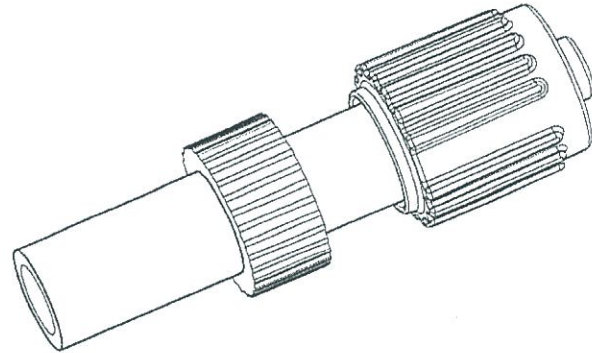


備註:
 1.重點尺寸4需用匹配件當檢具量測, 要能緊配
 2.成品AIF-630Z-XXXXX

Handwritten signature and date: 17.12.7

康健生醫科技股份有限公司 ADVANCED MEDICAL DESIGN Co., LTD.	Unit : mm	Reference Tolerance	Design	Milton 2018.1.3	Material :	Name: 過濾器	Page
	Perspective	.XXX ±0.025	QC review	David 2018.01.03	Remark : 4001-GLQ6801	Drawing No.	SIF-A-630Z-00000 2/4
		.XX ±0.050 .X ±0.100	Approved	<i>Handwritten signature</i>		Drawing Version	01

REV LTR	DATE	MODIFY DESCRIPTION	REVISER



Handwritten signature and date:
 17.2.7.

康健生醫科技股份有限公司
 ADVANCED MEDICAL DESIGN Co., LTD.

Unit : mm	Reference Tolerance
Perspective	.XXX ±0.025
	.XX ±0.050
	.X ±0.100

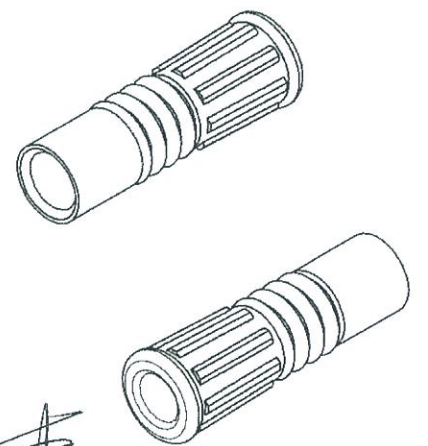
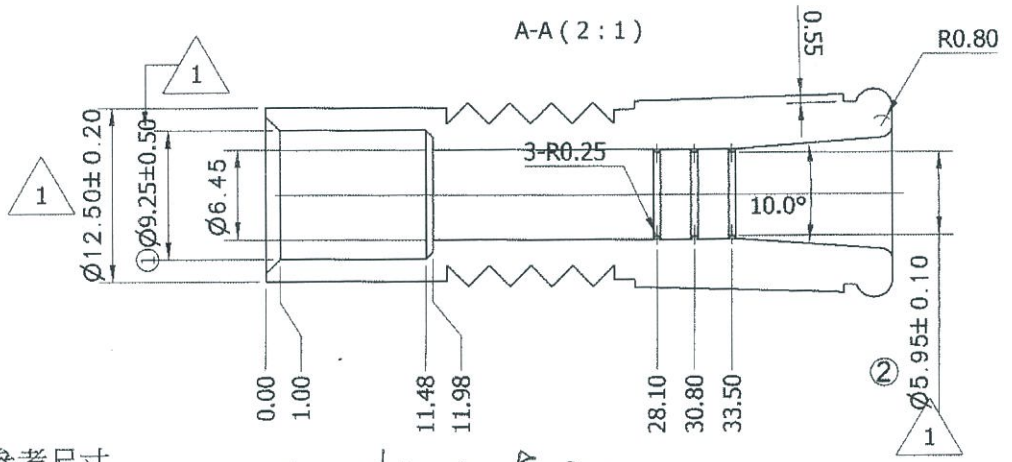
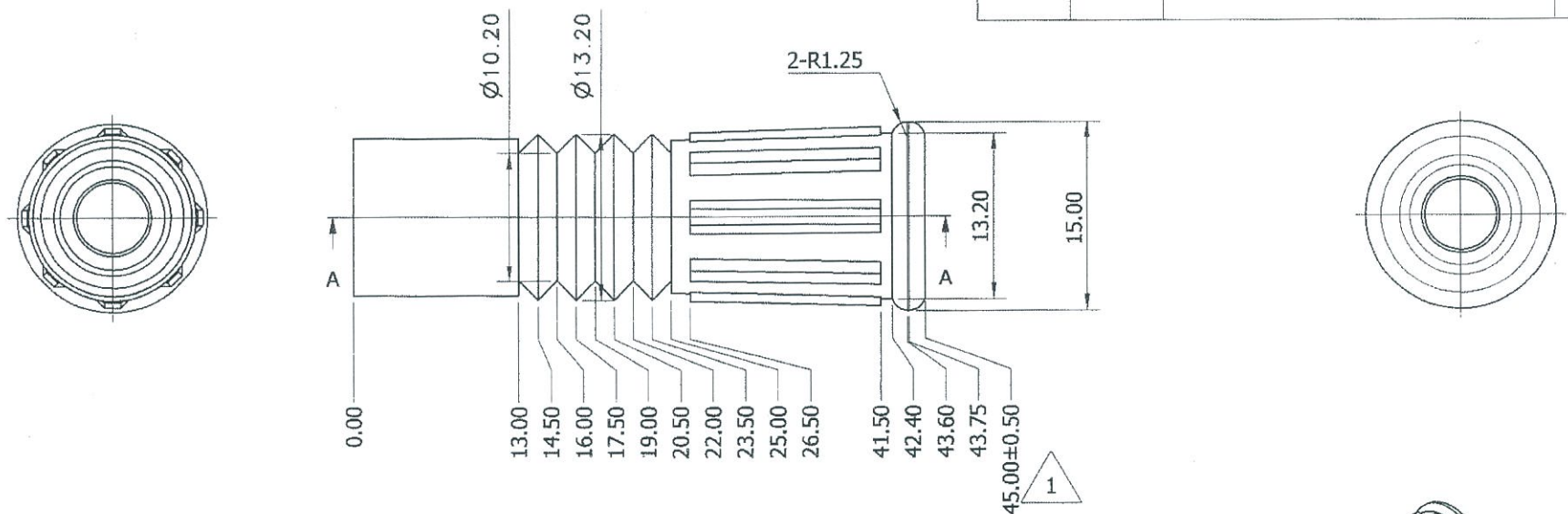
Design	Mtlan 18.1.3
QC review	David 2018 0103
Approved	<i>Signature</i>

Material :
 PC1225Y
 Remark :
 原色

Name: 螺紋組接頭	Page
Drawing No.	3 / 4
Drawing Version 01	

更改歷程			
更改	描述	日期	工程師
1	增加公差	2016/1/26	姚士偉

REV	LTR	DATE	MODIFY DESCRIPTION	REV



備註:
 1.重點尺寸以外為參考尺寸
 2.重點尺寸1、2需用匹配檢具檢測

Handwritten signature and notes in Chinese:
 7
 2018

Handwritten signature and date:
 17.12.7

康健生醫科技股份有限公司 ADVANCED MEDICAL DESIGN Co., LTD.	Unit : mm	Reference Tolerance	Design	Mittan 2018.1.13	Material :	PVC 80P	Name: 軟接頭	F
	Perspective	.XXX ±0.025	QC review	David 2018/01/03	Remark :		Drawing No.	4
		.XX ±0.050 .X ±0.100	Approved	<i>Signature</i>			Drawing Version	01