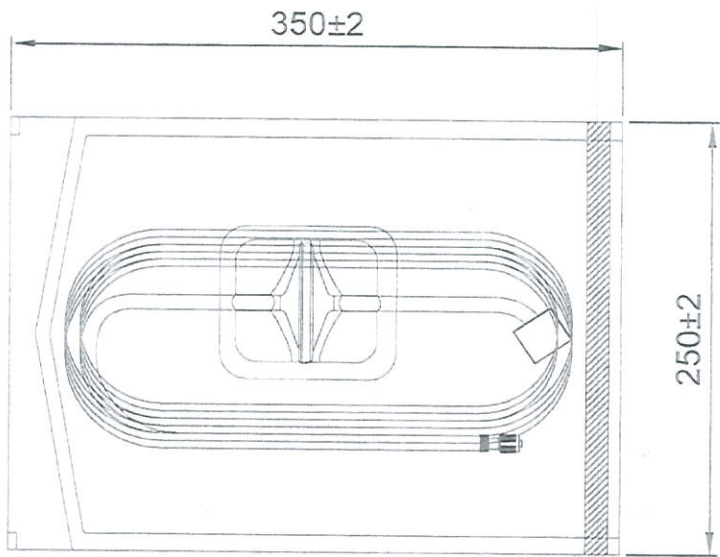
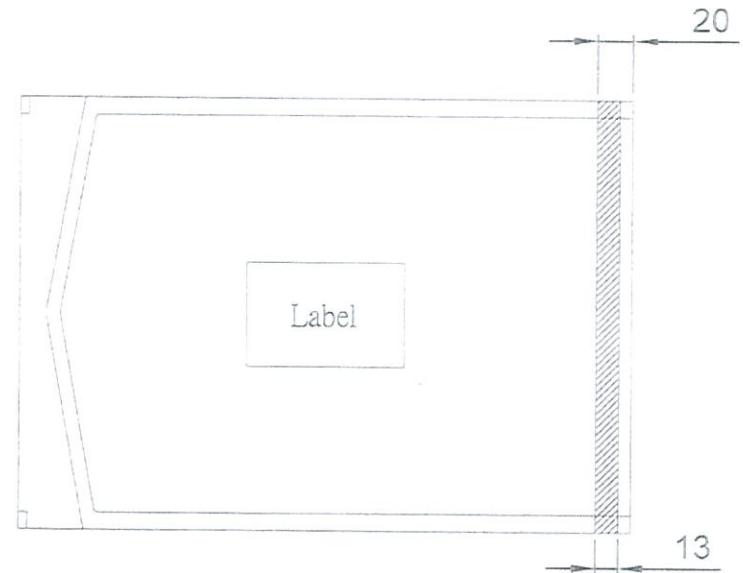


REV LTR	DATE	MODIFY DESCRIPTION	REVISER



正面



反面

1. 包裝方式為雙層滅菌袋包裝
2. 標籤依客戶簽回內容印製
3. 滅菌袋封口拉力為1.5 N ≥ 6 mm (有效封邊)
4. 繞圈須繞5圈

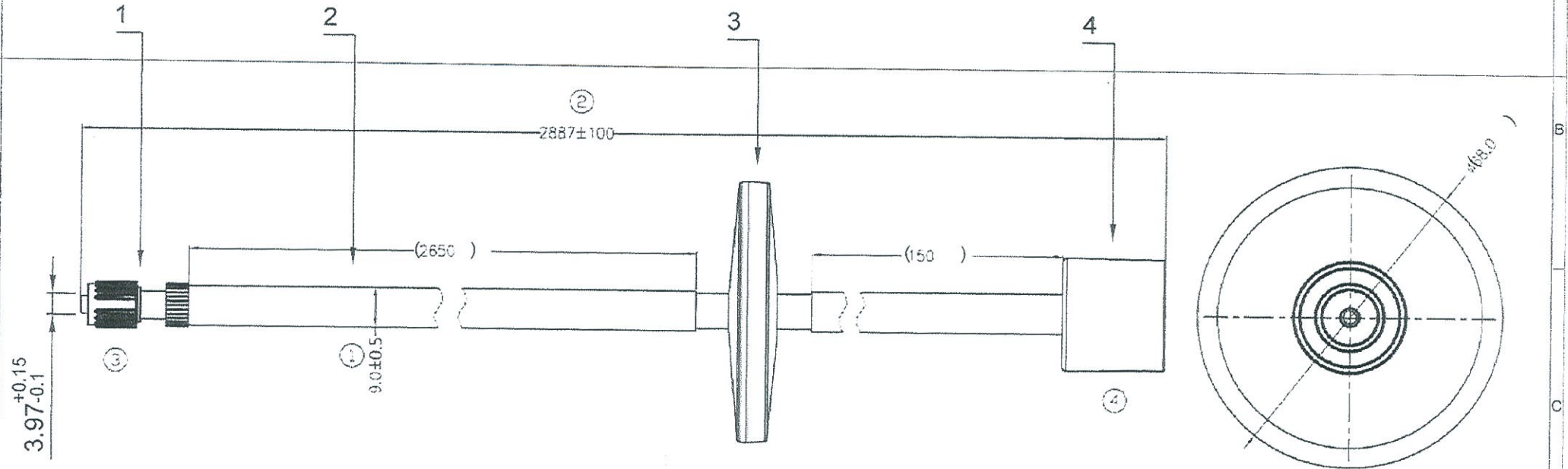


康健生醫科技股份有限公司 ADVANCED MEDICAL DESIGN Co., LTD.	Unit : mm	Reference Tolerance	Design	Material :	Name: 過濾器	Page
	Perspective	.XXX ±0.025 .XX ±0.050 .X ±0.100	QC review	Remark : 4001-GLQ6802	Drawing No. AIF-660Z-XXXXX	1 / 4
			Approved		Drawing Version 01	Frame info: RD-F009 Version 2.0

Milton 2018.1.3
David
2018

品名	材質
1 螺紋組接頭	PC
2 PVC管	PVC
3 過濾器本體	PC
4 15/22接頭	PP

REV LTR	DATE	MODIFY DESCRIPTION	REVISER



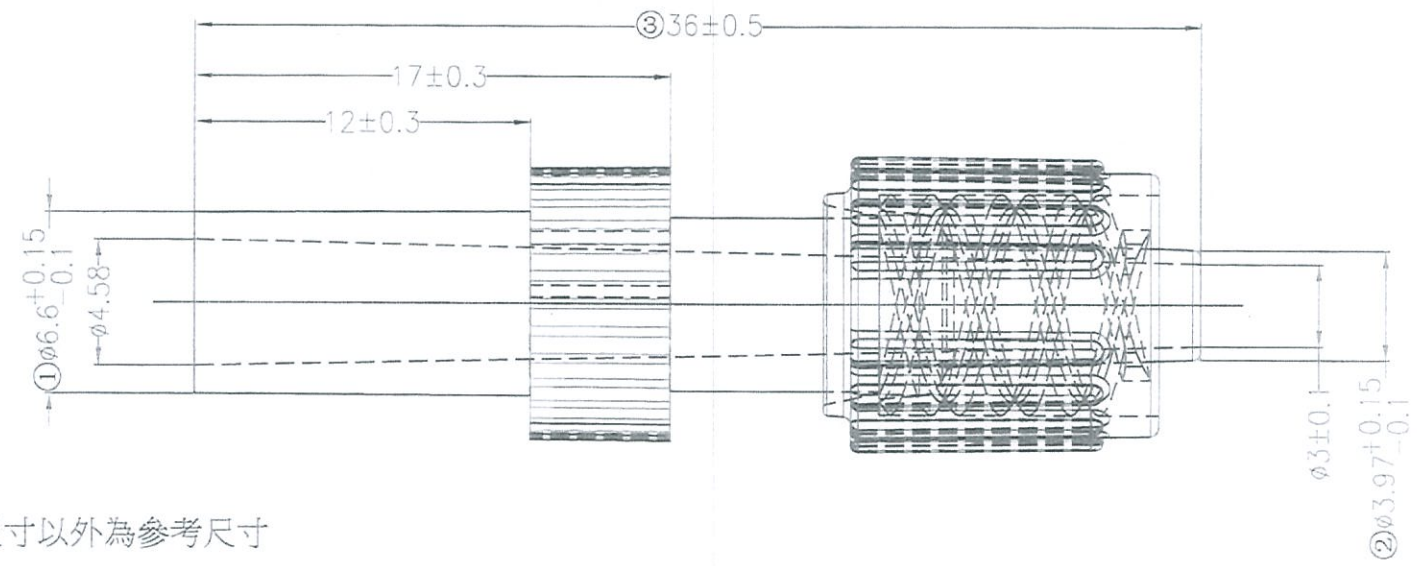
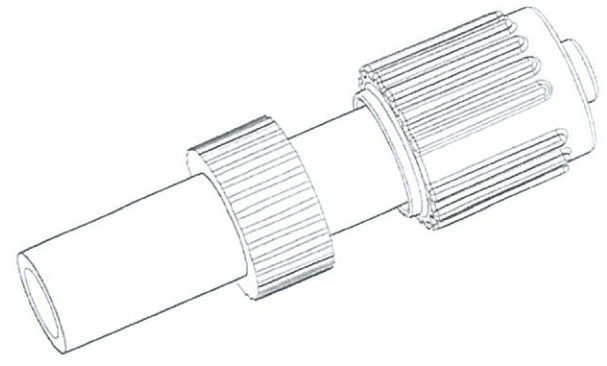
備註:

- 重點尺寸4需用標準檢具量測，要能緊配
- 成品AIF-660Z-XXXXX

[Handwritten signature]
17.12.7

康健生醫科技股份有限公司 ADVANCED MEDICAL DESIGN Co., LTD.	Unit : mm	Reference Tolerance	Design	Mittano 18. 1.3	Material :	Name: 過濾器	Page
	Perspective	.XXX ±0.025 .XX ±0.050 .X ±0.100	QC review	Dewid 2018 01/03	Remark : 4001-GLQ6802	Drawing No. SIF-A-660Z-00000	2 / 4
			Approved	<i>[Signature]</i>		Drawing Version 01	Frame info: RD-F009 Version 2.0

REV LTR	DATE	MODIFY DESCRIPTION	REVISER

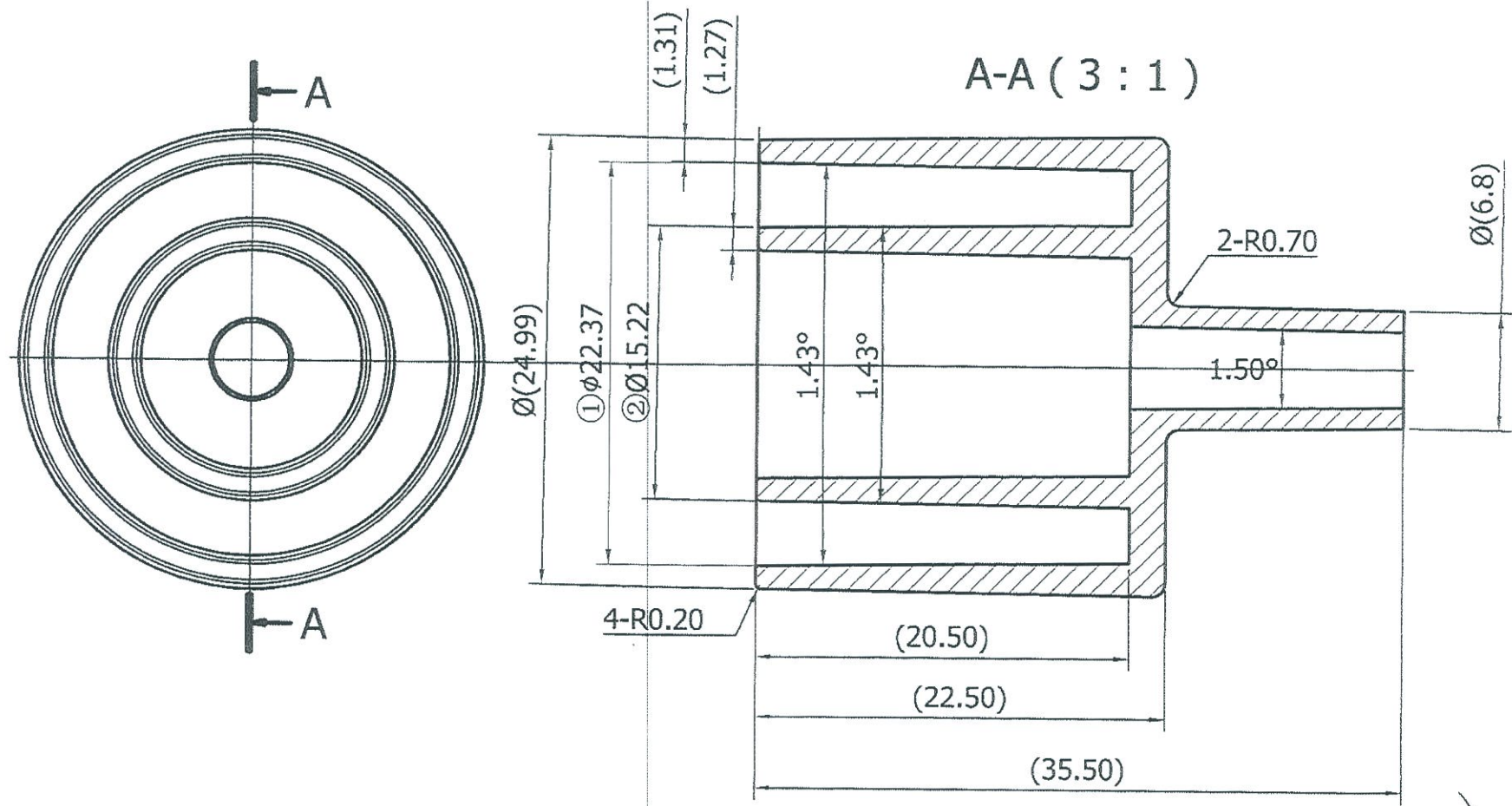


備註：
重點尺寸以外為參考尺寸

Handwritten signature and date: 17.12.7

康健生醫科技股份有限公司 ADVANCED MEDICAL DESIGN Co., LTD.	Unit : mm	Reference Tolerance	Design	Milton 2018.1.3	Material :	Name: 螺紋組接頭	Page
	Perspective	.XXX ±0.025	QC review	David 2018/0103	PC1225Y	Drawing No.	3/4
		.XX ±0.050 .X ±0.100	Approved	<i>Handwritten signature and date: 2018/1/3</i>	Remark :	Drawing Version	01
					原色		Frame info: RD-F009 Version 2.0

REV LTR	DATE	MODIFY DESCRIPTION	REVISER



重點尺寸①、②用標準檢具量測，其他尺寸為參考尺寸

[Handwritten Signature]
17.12.7

康健生醫科技股份有限公司 ADVANCED MEDICAL DESIGN Co., LTD.	Unit : mm	Reference Tolerance	Design	Mittan 18.1.3	Material : pp	Name: 15-22 快速接頭		Page
	Perspective	.XXX ±0.025	QC review	David 2018/01/07	Remark :	Drawing No.	4	4
		.XX ±0.050	Approved	<i>[Signature]</i>		Drawing Version	01	6
		.X ±0.100						Frame info: RD-F009 Version 2.0