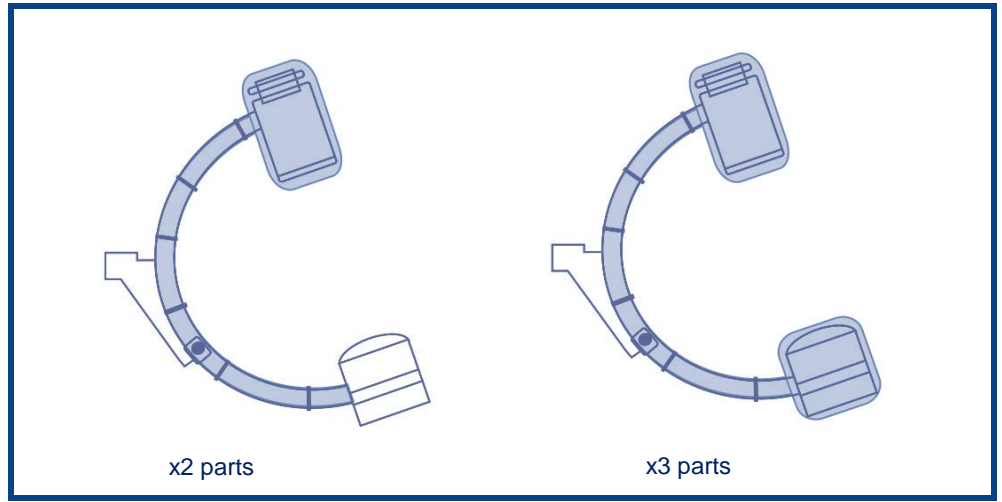




Medline International France SAS

5 rue Charles Lindbergh
44110 Châteaubriant

www.medline.com/en/



Invisishield™

C-Arm cover set

Reference(s)

Reference	Qty of parts	Initially designed for	Banded bags (LxW)	Arm cover with clips (WxL)
ICE8130	3	Siemens Siremobil 2000	90x75 cm	15.3x225 cm
ICE8132	2		90x75 cm	15.3x225 cm
ICE8230	3	Philips BV29 / BV25	75x75 cm	13x205 cm
ICE8232	2		75x75 cm	13x205 cm
ICE8330	3	Ziehm 7000 / CB7D	75x75 cm	13x180 cm
ICE8332	2		75x75 cm	13x180 cm

Description

Each C-Arm cover set contains:
- 1 or 2 banded bags, rectangular, sewn elastic band
- 1 arm cover with 6 clips

Main materials

Clear polyethylene film

Pack factor

20 units per carton

Packaging

Paper and film peel pouch
2 dispenser boxes contains all the units in a carton box

Manufacturer

Medbar Tibbi Malzemeler Turizm San. Tic. Ltd.Şti.
EN ISO 13485

Regulation

In compliance with Medical Devices Directive 93/42/EEC
MDD Class: I sterile



Latex free



1014



STERILE EO



© 2016 Medline Industries Inc. or one of its subsidiaries.
All rights reserved.

TDS_CArmCover02_EN03

01.01.INT.12