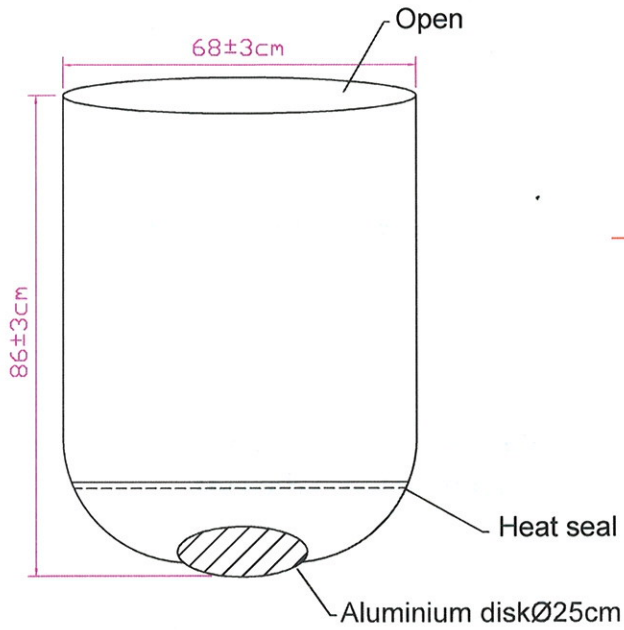
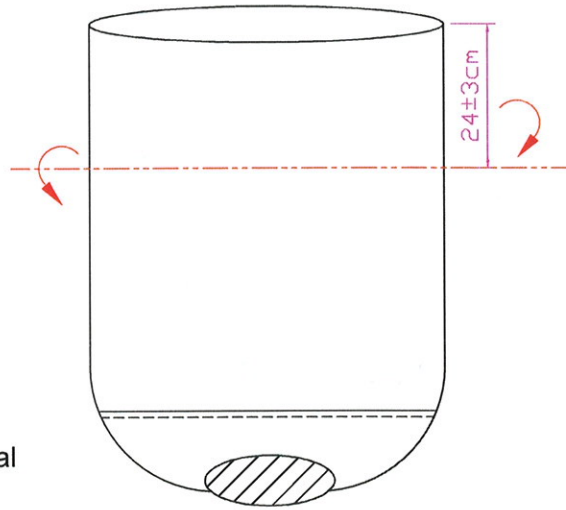


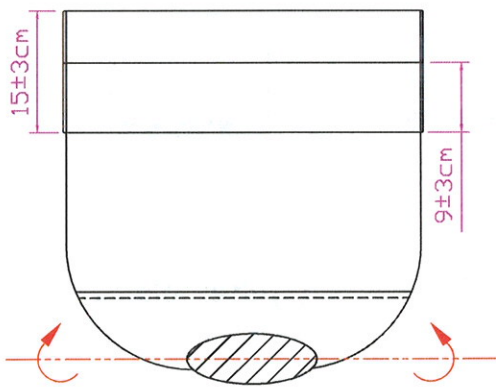
DATE	REV.	REVISION RECORD	DRAWNG	AUDITING	APPROVAL
2013-4-8	A	NEW DRAWING	Yang	Yuan	Kevin



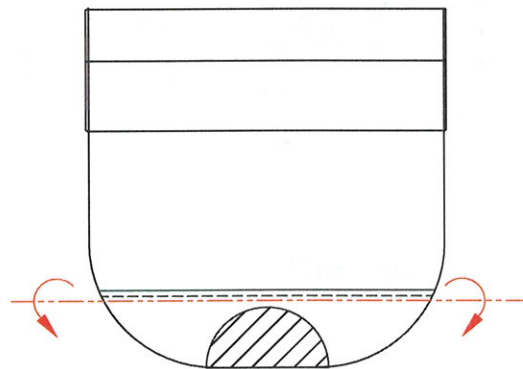
(1)Product drawing



(2)Will be the folding of the cuff



(3)Fold in half the aluminium disk



(4)Reverse fold the aluminium part

.X	N/A	X.°		CUSTOMER	 MEDLINE INDUSTRIES, INC	
X.	N/A	.X°		Medline P/N: SPTE-7000		REV. TITLE:
XX.	N/A	.XX°				A
XXX.	N/A	.XXX°		UNIT'S: cm		DRAWING RIZhang Yang
Explain: For internal use only. This document contains confidential, proprietary information of Medline Int. or one of its subsidiaries. It may not be copied or reproduced without prior written permission from Medline Int.				AUDITING Kevin Yuan	SHEET: 1/2	
				APPROVAL		

Sabrina Nael  
 Digitally signed by Sabrina Nael  
 DN: cn=Sabrina Nael, o=Medline, ou=emba=sabrina.nael@medline.com, c=FR  
 Date: 2013.04.30 12:14:19 +02'00'

A

B

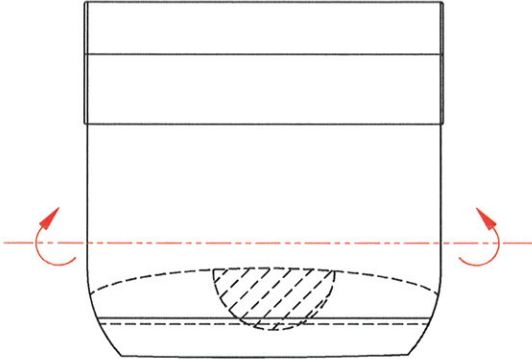
C

D

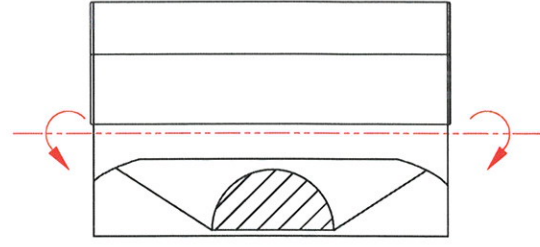
DATE	REV.	REVISION RECORD	DRAWNG	AUDITING	APPROVAL
2013-4-8	A	NEW DRAWING	Yang	Yuan	Kevin

1

1



(5)Reverse fold



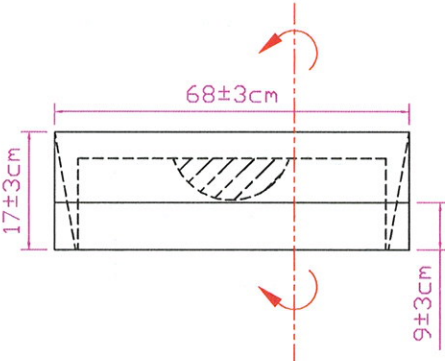
(6)Reverse fold again and place all the folded part into the cuff

2

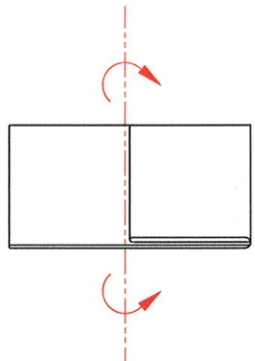
2

3

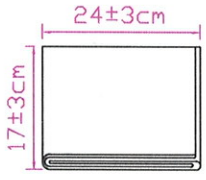
3



(7)1/3 Fold



(8)1/2 Fold



(9)After folding

4

4

**BILL OF MATERIAL:**

Material: LDPE clear film: - 2.4Mil+/-0.24Mil

5

5

.X	N/A	X.°			CUSTOMER	
X.	N/A	.X°				MEDLINE INDUSTRIES, INC
XX.	N/A	.XX°	UNIT'S: cm		Medline P/N: SPTE-7000	REV. TITLE:
XXX.	N/A	.XXX°				A
Explain: For internal use only. This document contains confidential, proprietary information of Medline Int. or one of its subsidiaries. It may not be copied or reproduced without prior written permission from Medline Int.					DRAWING	RIZhang Yang
					AUDITING	Kevin Yuan
					APPROVAL	
					SCALE: N/A SHEET: 2/2	

A

B

D

Sabrina Nael  
 Digitally signed by Sabrina Nael  
 DN: cn=Sabrina Nael, o=Medline, ou,email=sabrina.nael@medline.com, c=FR  
 Date: 2013.04.30 12:14:39 +02'00'